

DATE:	PROJECT:	TYPE:
-------	----------	-------

CATALOG NUMBER LOGIC:



*\*Designed for use with 12 VAC. LED transformer.  
Requires magnetic low voltage dimmer.*

*\*\*Only available for Copper Material.*

**CATALOG NUMBER LOGIC**

Example: HLW - C - LED - e70 - SAP

**MATERIAL**

(Blank) - Aluminum C - Copper

**SERIES**

HLW - High Light Wall

**STYLE**

B - Bali

C - Classic

M - Moor

**SOURCE**

LED - with Integral Driver (25W min. load when dimmed)\*

**LED TYPE**

e70 - 3W LED/2700K e72 - 3W LED/4000K

e71 - 3W LED/3000K e73 - 3W LED/Amber

**FINISH (See page 2 for full-color swatches)**

Standard Finishes (BZP, BZW, BLP, BLW, WHP, WHW, SAP, VER)

Premium Finish (ABP, AMG, AQW, BCM, BGE, BPP, CAP, CMG, CRM, HUG, NBP, OCP, RMG, SDS, SMG, TXF, WCP, WIR)

Also available in RAL Finishes

Copper Finishes (NAT, BP, GP, POL)

**OPTION\*\***

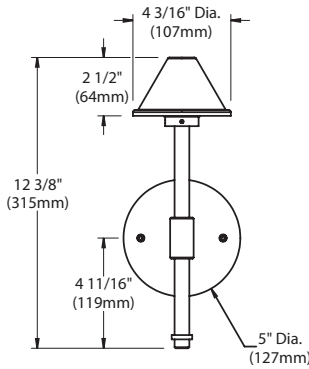
CLR - Clear Coat Protection (Available on NAT or POL finish only)

DATE:

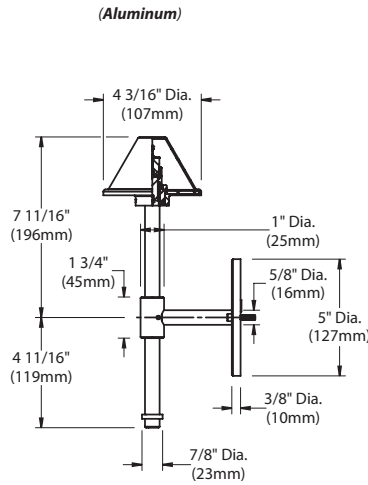
PROJECT:

TYPE:

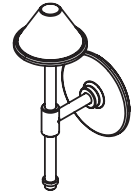
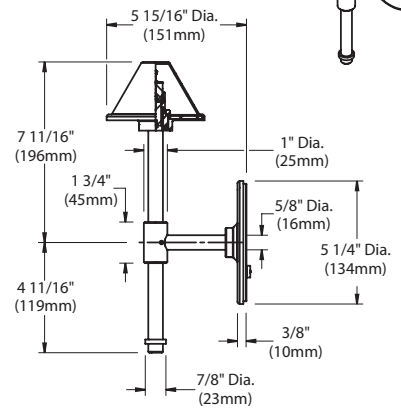
**FRONT VIEW**



**SIDE VIEW**



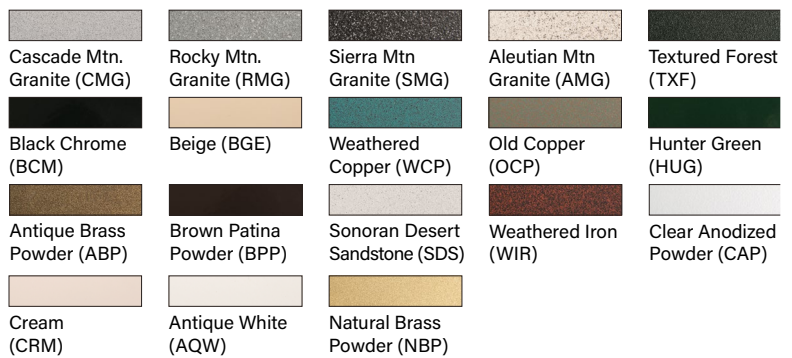
*(Copper)*



**STANDARD FINISHES**



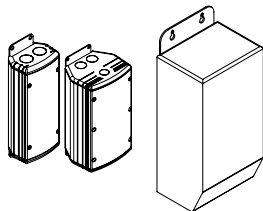
**PREMIUM FINISHES**



[Click Here](#) to view larger, full-color swatches of all available finishes on our website.

DATE:	PROJECT:	TYPE:
-------	----------	-------

ACCESSORIES (Configure separately)



UPMRM

TR Series

## SPECIFICATIONS

ELECTRICAL	WATTAGE	3W LED
	LED	Integrated LED system with 'e' technology is scalable for field upgrade. Modular design with electrical quick disconnects permit field maintenance. High power, forward throw source complies with ANSI C78.377 binning requirements. Exceeds ENERGY STAR® lumen maintenance requirements. LM-80 certified components.  Integral non-dimming driver. Up to 50,000 hour rated life at 70% of initial lumens (L70). LED technology provides long life, significant energy reduction and exceptional thermal management.
	WIRING	White, Tefzel® coated, 18AWG, 600V, 150° C rated and certified to UL 1659 standard.
	REMOTE TRANSFORMER	For use with 12VAC LED remote transformer or magnetic transformers only. B-K Lighting cannot guarantee performance with third party manufacturers' transformers.
PHYSICAL	MATERIALS	Copper: Constructed from copper and brass. These enduring metals are inherently corrosion resistant. Aluminum: Constructed from Copper-Free aluminum (Type 6061-T6)
	SHADE	Made from 16gGA ATSM 3003-H14 Aluminum or 16GA ASTM C101 Copper.
	LENS	4" clear acrylic lens is factory adhered to shade and provides sealed optical compartment.
	BODY	Hub is machined from 6061-T6 Aluminum or 360 Brass. Silicone 'O' Ring provides water tight seal to shade assembly.
	INSTALLATION	Copper: 5" diameter, machined aluminum mounting plate with black finish. For use with 4" octagonal junction box (not included).  Aluminum: 5" diameter round aluminum Canopy with stainless steel universal mounting ring permits mounting to 4" octagonal junction box (not included).
	CANOPY	Copper: 5-1/4" diameter round canopy cover. Canopy Cover conceals mounting plate and hardware. Material is hand spun from high purity, solid copper plate with tamper resistant machined 360 brass lock collar.  Aluminum: 5" round diameter round canopy made from 6061-T6 Aluminum. Finish to match fixture finish.
	HARDWARE	Tamper resistant, stainless steel hardware.
	FINISH	Copper: Natural (NAT): Copper and brass components are sand blasted to expose the porous metal surface. Over time, and with exposure to the elements, the metals will naturally 'weather' resulting in a unique patina.  Also available with hand-crafted metal finishes including brown patina (BP), green patina (GP), and polish (POL).  Copper and brass components are also available in powder coat finishes.  Optional ceramic clear coat protection (copper and brass components only) seals and protects underlying metals and protects against discoloration, fading, and wear. Highly impervious to chemicals, solvents, and graffiti. For use with natural (NAT) and polish (POL) finishes.  Aluminum: StarGuard®, our exclusive RoHs compliant, 15 stage chromate-free process cleans and conversion coats aluminum components prior to application of Class 'A' TGIC polyester powder coating.
	WARRANTY	5 year limited warranty.
	LISTINGS	UL tested to IESNA LM-79. UL Listed. Certified to CAN/CSA/ANSI Standards. RoHs compliant. Suitable for indoor or outdoor use. Suitable for use in wet locations. Additionally suitable for installation within 4' of the ground. IP65 Rated. Made in USA.



# LAMP & DRIVER DATA

DATE:	PROJECT:	TYPE:
-------	----------	-------

## DRIVER DATA

Input Volts	InRush Current	Operating Current	Operation Ambient Temperature
12VAC/DC 50/60Hz	12A Max	700mA	-22°F to 194°F (-30°C to 90°C)

### LM79 DATA

### LM70 DATA

TEKA LED #	LUMENS (Delivered)	CCT	INPUT WATTS (Typ.)	CRI (Typ.)	Minimum Rated Life (hrs.) - 70% of initial lumens (L70)
e70	82	2700	3	80	50,000
<b>e71</b>	<b>95</b>	<b>3000</b>	<b>3</b>	<b>80</b>	<b>50,000</b>
e72	104	4000	3	80	50,000
<b>e73</b>	-	<b>Amber (590nm)</b>	<b>3</b>	-	<b>50,000</b>