

TR SERIES (MAGNETIC TRANSFORMER)

DATE: _____ PROJECT: _____ TYPE: _____

CATALOG NUMBER LOGIC:



CATALOG NUMBER LOGIC

Example: TR150 - 120

SERIES

TR60 - 60W Magnetic Transformer

TR150 - 150W Magnetic Transformer

TR300 - 300W Magnetic Transformer

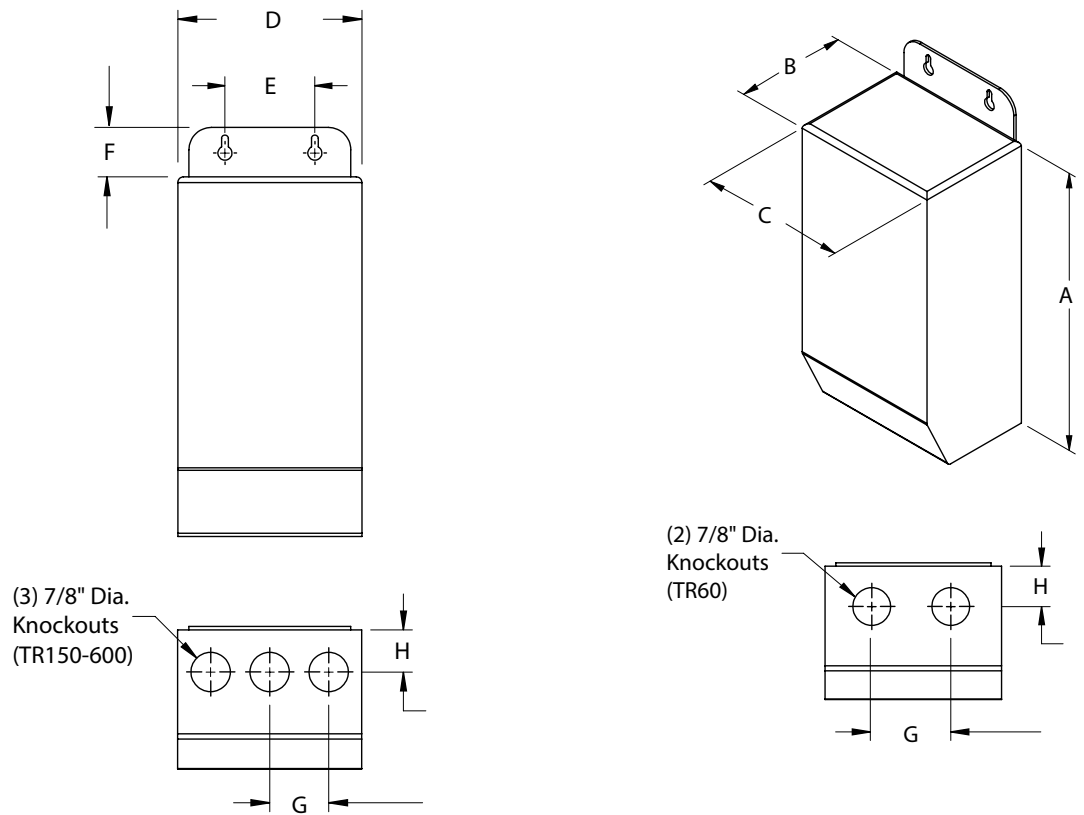
TR600 - 600W Magnetic Transformer

INPUT VOLTAGE

120 - 120 Volt

277 - 277 Volt

DIMENSIONS



TEKA ILLUMINATION

MADE IN THE USA

559.438.5800 | INFO@TEKAILLUMINATION.COM | TEKAILLUMINATION.COM

THIS DOCUMENT CONTAINS PROPRIETARY INFORMATION OF TEKA ILLUMINATION AND ITS RECEIPT OR POSSESSION DOES NOT CONVEY ANY RIGHTS TO REPRODUCE, DISCLOSE ITS CONTENTS, OR TO MANUFACTURE, USE OR SELL ANYTHING IT MAY DESCRIBE. REPRODUCTION, DISCLOSURE OR USE WITHOUT SPECIFIC WRITTEN AUTHORIZATION OF TEKA ILLUMINATION IS STRICTLY FORBIDDEN.

07/28/2022 SKU-198
SUB-2706-00

TR SERIES (MAGNETIC TRANSFORMER)

DATE:	PROJECT:	TYPE:
-------	----------	-------

ACCESSORIES (Configure separately)

SPECIFICATIONS

ELECTRICAL	TRANSFORMER	Fully encapsulated, Class B insulated, low voltage magnetic transformer. 120VAC or 277VAC input. 12VAC output (fully loaded), 0.6A (120VAC) or 0.3A (277VAC) maximum no load input current. Manual thermal reset. Secondary circuit breaker. Enclosure temperature <65° C when fully loaded (in 40° C ambient). For LED sourced products, do not exceed more than 80% of the maximum load of the transformer.
	OUTPUT WIRING	See B-K Lighting Low Voltage Design Guide on reverse.
PHYSICAL	HOUSING	Stainless steel, NEMA Outdoor 3R rated enclosure. [2] (TR60) or [3] (TR150-600) bottom entry 7/8" knockouts provide access to wiring compartment. Riveted, hinged cover opens vertically from bottom to top for service access.
	WARRANTY	Limited five year warranty.
	CERTIFICATION & LISTINGS	Nema Type 3R Enclosure. Suitable for indoor and outdoor use. UL Listed to ANSI/UL Standard 1012.

