

# POWER PIPE

DATE:	PROJECT:	TYPE:
-------	----------	-------

CATALOG NUMBER LOGIC:



*\*For use with 3W-7W LED fixtures. 105-300 VAC. 50/60 Hz. non-dimming.*

### CATALOG NUMBER LOGIC

Example: PP - S18 - T-TRe20 - BZW - C - SF

### MATERIAL

(Blank) - Aluminum B - Brass

### SERIES

PP - Power Pipe II System

### TYPE

S12 - 12" Stake

S18 - 18" Stake

J12 - 12" Junction Box

J18 - 18" Junction Box

### TRANSFORMER TYPE

(Blank) - Less Transformer Housing

T-TRe20 - TRe20 Electronic Transformer (for use with LED fixtures)\*

### FINISH (See page 2 for full-color swatches)

Standard Finishes (BZP, BZW, BLP, BLW, WHP, WHW, SAP, VER)

Premium Finish (ABP, AMG, AQW, BCM, BGE, BPP, CAP, CMG, CRM, HUG, NBP, OCP, RMG, SDS, SMG, TXF, WCP, WIR)

Also available in RAL Finishes

Brass Finishes (NAT, BP, GP, POL)

### CAP STYLE

B - Single Hole Cap

C - Solid Cap

### OPTION

CLR - Clear Coat Protection (Available on NAT or POL finish only)

SF - Stability Flange

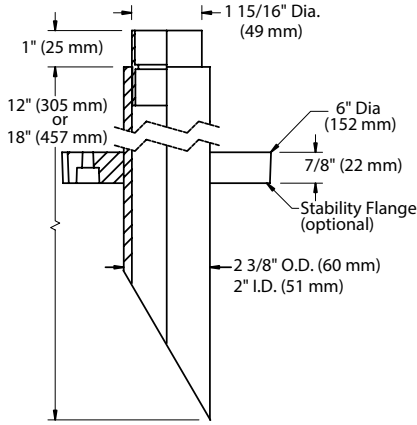
# POWER PIPE

DATE:

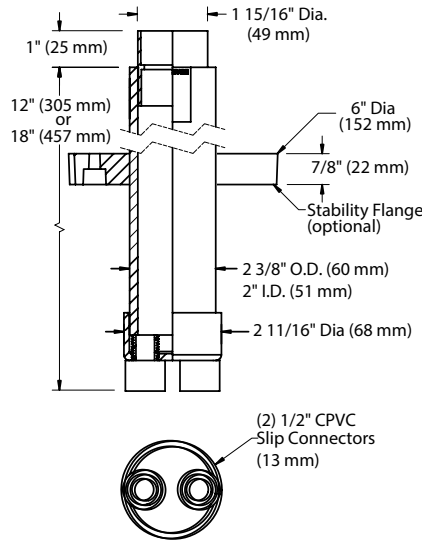
PROJECT:

TYPE:

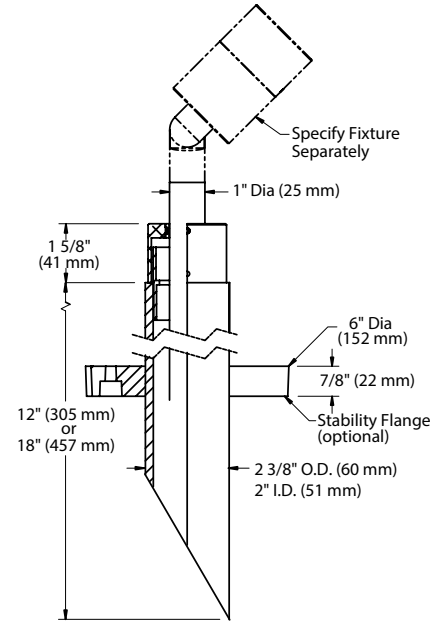
## STAKE (S)



## JUNCTION (J)

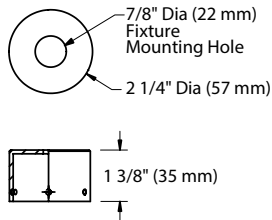


## ADJUSTABLE STEM (A)

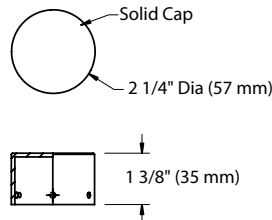


## CAP STYLES

### 'B' Cap (Single Hole)

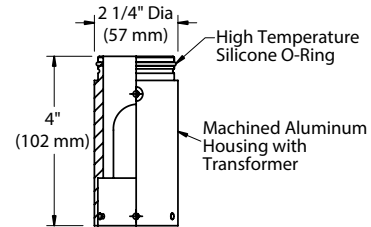


### 'C' Cap (Solid Cap)



## TRANSFORMER

### Transformer with Housing



## STANDARD FINISHES



## PREMIUM FINISHES



[Click Here](#) to view larger, full-color swatches of all available finishes on our website.

**TEKA ILLUMINATION** MADE IN THE USA

559.438.5800 | [INFO@TEKAILLUMINATION.COM](mailto:INFO@TEKAILLUMINATION.COM) | [TEKAILLUMINATION.COM](http://TEKAILLUMINATION.COM)

# POWER PIPE

DATE:	PROJECT:	TYPE:
-------	----------	-------

ACCESSORIES (Configure separately)

## SPECIFICATIONS

Electrical	WIRING	Teflon® coated wire, 18AWG, 600V, 250° C rated and certified to UL 1659 standard. Adjustable stem mount additionally includes 24" or 36" 12/2 direct burial low voltage cable.
	TRANSFORMER HOUSING	Fully machined from copper-free aluminum, solid machined brass or stainless steel. Stainless steel hardware. High temperature, silicone 'O' Ring provides watertight seal.
	ELECTRONIC TRANSFORMER	For use with halogen lamps. 120V, 230V, and 277V primary voltage. 120V is fully dimmable (40W minimum load). 50/60Hz. 11.6V secondary voltage. 10W minimum load (halogen) non-dimmed. 75 watt maximum load. >0.93 Power Factor. <20% THD. Operating frequency >10kHz. Soft start circuitry to extend lamp life.
	TRe20 ELECTRONIC TRANSFORMER	For use with solid state 12V systems. 105-300VAC primary voltage. 50/60Hz. Non-dimming. 20VA maximum load.
PHYSICAL	INSTALLATION	Provides a clean, architectural transition from wiring system to fixture. 2" Schedule 80 PVC pipe. For direct burial in soil or concrete. Available in 12" and 18" lengths. Available in three installation types:
	STAKE (TYPE S)	60° angled bottom designed for use with conduit or direct burial low voltage cable.
	JUNCTION BOX (TYPE J)	Includes two (2) 1/2" PVC slip connectors for branch circuit wiring.
	STABILITY FLANGE	Optional 6" diameter, molded stability flange simplifies installation and projects into substrate to simplify installation and reinforce housing stability.
	CAP STYLE	Machined from copper-free aluminum or machined brass.
	HARDWARE	Tamper-resistant, stainless steel hardware.
	FINISH	StarGuard, our 15-stage, chromate-free process cleans and conversion coats aluminum components prior to application of Class 'A' TGIC polyester powder coating and is RoHS compliant.
	WARRANTY	5-year limited warranty.
CERTIFICATION & LISTING	Certified to CAN/CSA/ANSI Standards. UL Listed. RoHS compliant. Made in USA with sustainable processes.	

