

DATE: PROJECT: TYPE:

CATALOG NUMBER LOGIC:



*\*Designed for use with 12 VAC. LED transformer.  
Requires magnetic low voltage dimmer.*

#### CATALOG NUMBER LOGIC

Example: 1130 - 12 - LED - e93 - BZP - PT-TRe20

#### MATERIAL

(Blank) - Aluminum C - Copper

#### SERIES

1130 - 1130 Path Light

#### STEM LENGTH (specify inches)

12" (Standard), 18", 24", 30", 36", or 42"

#### SOURCE

LED - with Integral Dimming Driver (25W min. load when dimming)\*

#### LED TYPE

e93 - 7W LED/2700K e95 - 7W LED/4000K

e94 - 7W LED/3000K e96 - 7W LED/Amber

#### FINISH (See page 2 for full-color swatches)

Standard Finishes (BZP, BZW, BLP, BLW, WHP, WHW, SAP, VER)

Premium Finish (ABP, AMG, AQW, BCM, BGE, BPP, CAP, CMG, CRM, HUG, NBP, OCP, RMG, SDS, SMG, TXF, WCP, WIR)

Also available in RAL Finishes

Copper Finishes (NAT, BP, GP, POL)

#### OPTION

CLR - Clear Coat Protection (Available on NAT finish only)

#### MOUNTING

#30 - #30 Clamp on Blades (Includes additional 12" stem for direct burial)

PP18B - 18" Power Pipe Stake with 'B' Cap

PP-TRe20 - Power Pipe T with 18" Stake, TRe20 Electronic Transformer (105-300 VAC. 50/60 Hz. non-dimming)

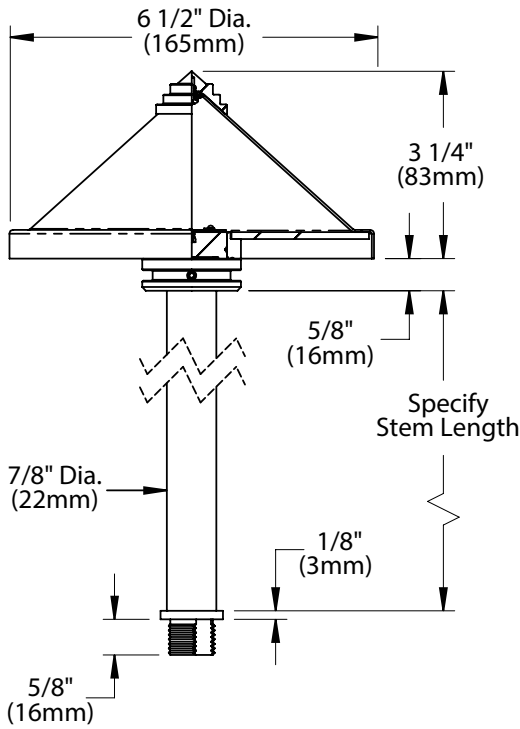
SF - Stability Flange (For use with power pipe)

DATE:

PROJECT:

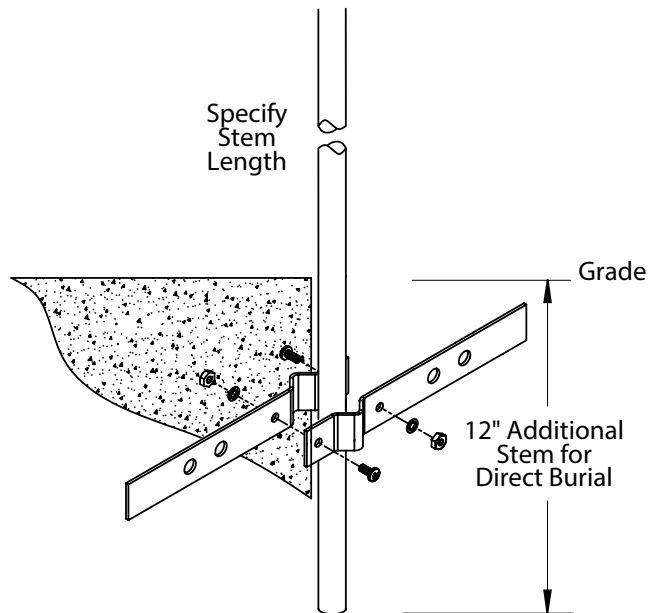
TYPE:

**SIDE VIEW**



**#30 CLAMP ON BLADES (Optional)**

*Available with Copper Fixture Only*



**STANDARD FINISHES**



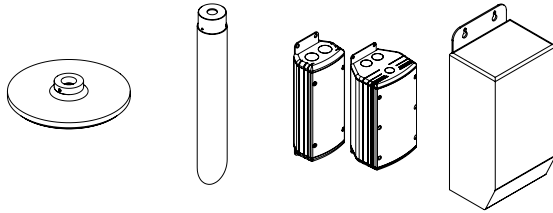
**PREMIUM FINISHES**



[Click Here](#) to view larger, full-color swatches of all available finishes on our website.

DATE:	PROJECT:	TYPE:
-------	----------	-------

## ACCESSORIES (Configure separately)



Pillar Mount Canopy

Power Pipe

UPMRM

TR Series

## SPECIFICATIONS

ELECTRICAL	WATTAGE	7W LED
	LED	Integrated LED system with 'e' technology is scalable for field upgrade. Modular design with electrical quick disconnects permit field maintenance. High power, forward throw source complies with ANSI C78.377 binning requirements. Exceeds ENERGY STAR® lumen maintenance requirements. LM-80 certified components.
	WIRING	Integral dimming driver. Up to 50,000 hour rated life at 70% of initial lumens (L70). BKSSL technology provides long life, significant energy reduction and exceptional thermal management. Black, 18/2 coated wire. 150V 60° C rated and certified to UL 1659 standard. Leads extend 6" from fixture to facilitate live splice in suitable enclosure.
	TRANSFORMER	For use with 12VAC LED remote transformer or magnetic transformers only. B-K Lighting cannot guarantee performance with third party manufacturers' transformers.
PHYSICAL	MATERIALS	Copper: Constructed from copper and brass. These enduring metals are inherently corrosion resistant. Aluminum: Constructed from Copper-Free aluminum (Type 6061-T6).
	SHADE	Hand spun from high purity, solid copper or aluminum plate. High temperature, silicone 'O' Ring provides water tight seal.
	LENS	Injection molded 6 1/4" clear acrylic lens is factory adhered to shade and provides sealed optical compartment.
	STEM INSTALLATION	Machined from heavy wall 7/8" O.D. copper or aluminum. Available for installation in three distinct mounting conditions:  #30 Clamp on Blades include an additional 12" stem for direct burial and leads extending 60" from fixture to facilitate live splice in suitable enclosure. Available with Copper Fixture only.  Power Pipe - Provides a clean transition from wiring system to fixture. Schedule 80, 18" PVC housing for direct burial into soil or concrete. Machined 2-1/4" dia. cap for fixture mounting. Stainless steel hardware. Optional 6" diameter, molded stability flange, which simplifies installation and projects into substrate to reinforce housing stability. For use with 12VAC remote LED transformer or magnetic transformers only. TEKA Illumination cannot guarantee performance with third party manufacturers' transformers.  Power Pipe with Transformer Housing (Optional) - Additionally features integral transformer housing fully machined from copper-free aluminum. High temperature, silicone 'O' Ring provides water-tight seal. Integral, TRe20 electronic transformer. 105-300VAC primary voltage. 50/60Hz. Non Dimming. 20VA maximum load.
HARDWARE	Tamper resistant, stainless steel hardware.	
FINISH	Copper: Natural (NAT): Copper and brass components are sand blasted to expose the porous metal surface. Over time, and with exposure to the elements, the metals will naturally 'weather' resulting in a unique patina. Also available with hand-crafted metal finishes including brown patina (BP), green patina (GP), and polish (POL).  Copper and brass components are also available in powder coat finishes.  Optional ceramic clear coat protection (copper and brass components only) seals and protects underlying metals and protects against discoloration, fading, and wear. Highly impervious to chemicals, solvents, and graffiti. For use with natural (NAT) and polish (POL) finishes.  Aluminum: StarGuard®, our exclusive RoHs compliant, 15 stage chromate-free process cleans and conversion coats aluminum components prior to application of Class 'A' TGIC polyester powder coating.	



TEKA ILLUMINATION

MADE IN THE USA

559.438.5800 | INFO@TEKAILLUMINATION.COM | TEKAILLUMINATION.COM

DATE:

PROJECT:

TYPE:

### SPECIFICATIONS

PHYSICAL

WARRANT  
LISTINGS

5 year limited warranty.

UL Listed. Certified to CAN/CSA/ANSI Standards. RoHS compliant. Suitable for indoor or outdoor use. Suitable for use in wet locations. Additionally suitable for installation within 4' of the ground. IP65 Rated. Made in USA.



# LAMP & DRIVER DATA

DATE:	PROJECT:	TYPE:
-------	----------	-------

## DRIVER DATA

Input Volts	InRush Current	Operating Current	Operation Ambient Temperature	Dimmer Type
12VAC/DC 50/60Hz	<250mA (non-dimmed)	500mA	-22°F to 194°F (-30°C to 90°C)	Magnetic Low Voltage

### LM79 DATA

### LM70 DATA

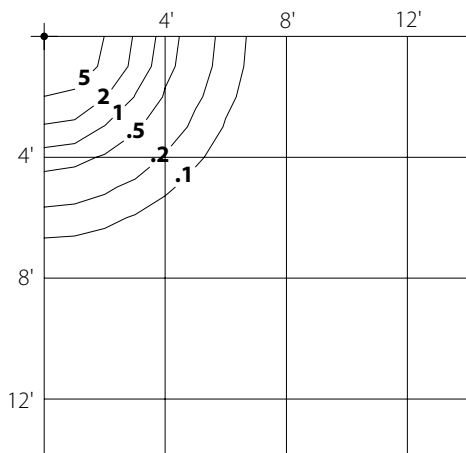
TEKA LED #	LUMENS (Delivered)	CCT	INPUT WATTS (Typ.)	CRI (Typ.)	Minimum Rated Life (hrs.) - 70% of initial lumens (L70)
e93	188	2700	7	80	50,000
<b>e94</b>	<b>188</b>	<b>3000</b>	<b>7</b>	<b>80</b>	<b>50,000</b>
e95	199	4000	7	80	50,000
<b>e96</b>	-	<b>Amber (590nm)</b>	<b>7</b>	-	<b>50,000</b>

# 1130 PATH LIGHT (1130) - HORIZONTAL FOOTCANDLES

DATE: \_\_\_\_\_ PROJECT: \_\_\_\_\_ TYPE: \_\_\_\_\_

## 1130 - LED - e95 (7W) - 4000K

Mounting Height = 2 Ft

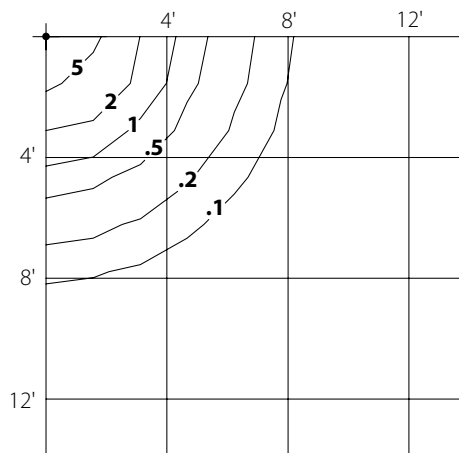


### HORIZONTAL FOOTCANDLES

Light Loss Factor = 1.00  
 Luminaire Lumens = 231  
 Maximum Calculated Value = 21.93 Fc  
 2.7K Multiplier = .94  
 3K Multiplier = .94  
 BUG Rating = B0 U1 G0

## 1130 - LED - e95 (7W) - 4000K

Mounting Height = 3 Ft

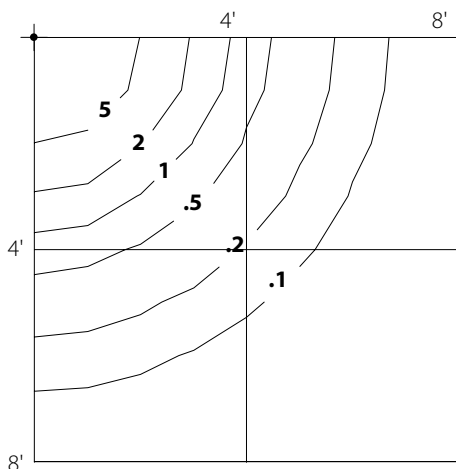


### HORIZONTAL FOOTCANDLES

Light Loss Factor = 1.00  
 Luminaire Lumens = 231  
 Maximum Calculated Value = 9.74 Fc  
 2.7K Multiplier = .94  
 3K Multiplier = .94  
 BUG Rating = B0 U1 G0

## 1130 - LED - e95 (7W) - 4000K

Mounting Height = 2 Ft

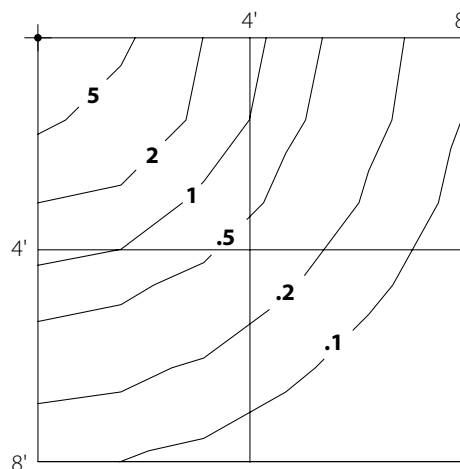


### HORIZONTAL FOOTCANDLES

Light Loss Factor = 1.00  
 Luminaire Lumens = 231  
 Maximum Calculated Value = 21.93 Fc  
 2.7K Multiplier = .94  
 3K Multiplier = .94  
 BUG Rating = B0 U1 G0

## 1130 - LED - e95 (7W) - 4000K

Mounting Height = 3 Ft



### HORIZONTAL FOOTCANDLES

Light Loss Factor = 1.00  
 Luminaire Lumens = 231  
 Maximum Calculated Value = 9.74 Fc  
 2.7K Multiplier = .94  
 3K Multiplier = .94  
 BUG Rating = B0 U1 G0