

TR SERIES (MAGNETIC TRANSFORMER)

DATE: _____ PROJECT: _____ TYPE: _____

CATALOG NUMBER LOGIC:



CATALOG NUMBER LOGIC

Example: TR150 - 120

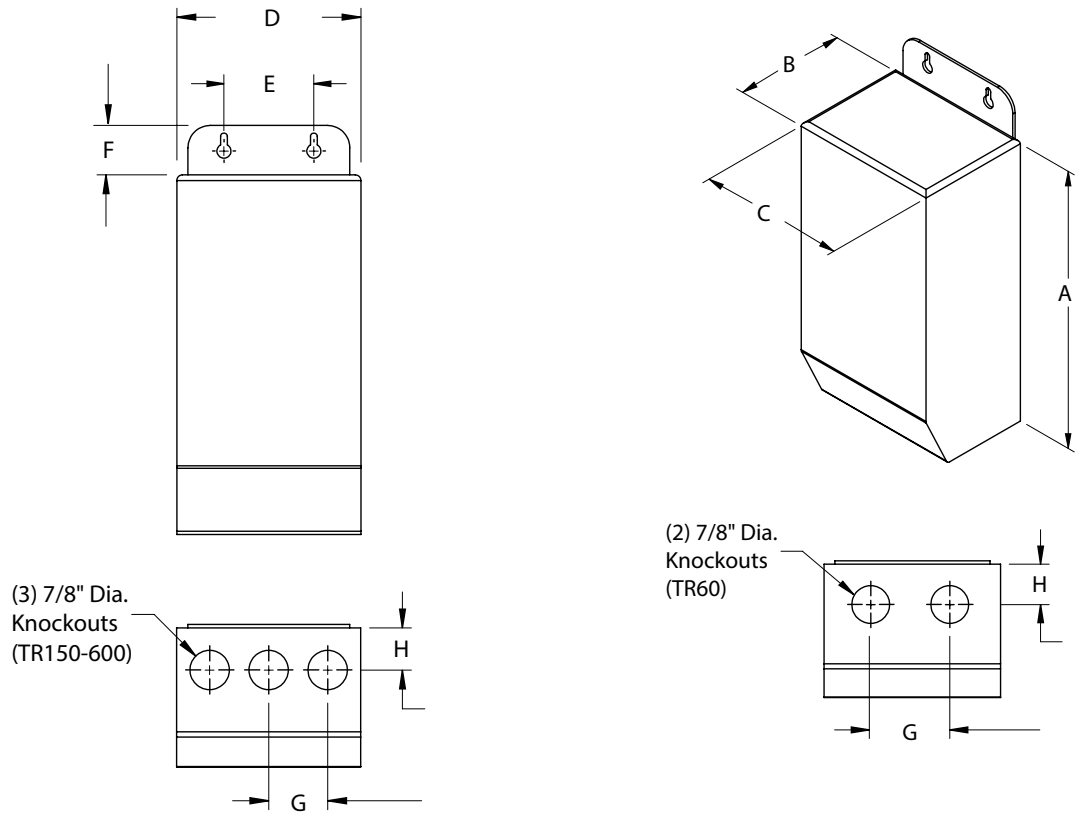
SERIES

- TR60 - 60W Magnetic Transformer
- TR150 - 150W Magnetic Transformer
- TR300 - 300W Magnetic Transformer
- TR600 - 600W Magnetic Transformer

INPUT VOLTAGE

- 120 - 120 Volt
- 277 - 277 Volt

DIMENSIONS



TR SERIES (MAGNETIC TRANSFORMER)

| | | |
|-------|----------|-------|
| DATE: | PROJECT: | TYPE: |
|-------|----------|-------|

ACCESSORIES (Configure separately)

SPECIFICATIONS

| | | |
|------------|--------------------------|---|
| ELECTRICAL | TRANSFORMER | Fully encapsulated, Class B insulated, low voltage magnetic transformer. 120VAC or 277VAC input. 12VAC output (fully loaded), 0.6A (120VAC) or 0.3A (277VAC) maximum no load input current. Manual thermal reset. Secondary circuit breaker. Enclosure temperature <65° C when fully loaded (in 40° C ambient). For LED sourced products, do not exceed more than 80% of the maximum load of the transformer. |
| | OUTPUT WIRING | See B-K Lighting Low Voltage Design Guide on reverse. |
| PHYSICAL | HOUSING | Stainless steel, NEMA Outdoor 3R rated enclosure. [2] (TR60) or [3] (TR150-600) bottom entry 7/8" knockouts provide access to wiring compartment. Riveted, hinged cover opens vertically from bottom to top for service access. |
| | WARRANTY | Limited five year warranty. |
| | CERTIFICATION & LISTINGS | Nema Type 3R Enclosure. Suitable for indoor and outdoor use. UL Listed to ANSI/UL Standard 1012. |

