

DATE: _____ PROJECT: _____ TYPE: _____

CATALOG NUMBER LOGIC:



**Designed for use with 12 VAC. LED transformer. Requires magnetic low voltage dimmer.*

***Eliminates glow in upper window. Material and finish to match fixture. Available with SD5 or SD8 styles only.*

****Material and finish to match fixture.*

CATALOG NUMBER LOGIC

Example: MBP - 18 - SD8 - LED - e94 - WHW - CC1 - MSH - PP18B

MATERIAL

(Blank) - Aluminum C - Copper

SERIES

MBP - Miniature Beacon Path Light

STEM LENGTH (specify inches)

12" (Standard), 18", 24", 30", 36", or 42"

STYLE

LS - Less Shade

SD5 - 5" Disk

SD8 - 8" Shade

SOURCE

LED - with Integral Dimming Driver (25W min. load when dimmed)*

LED TYPE

e93 - 7W LED/2700K e95 - 7W LED/4000K

e94 - 7W LED/3000K e96 - 7W LED/Amber

FINISH (See page 2 for full-color swatches)

Standard Finishes (BZP, BZW, BLP, BLW, WHP, WHW, SAP, VER)

Premium Finish (ABP, AMG, AQW, BCM, BGE, BPP, CAP, CMG, CRM, HUG, NBP, OCP, RMG, SDS, SMG, TXF, WCP, WIR)

Also available in RAL Finishes

Copper Finishes (NAT, BP, GP, POL)

CAP STYLE

CC1 - Cone Cap

CF1 - Flat Cap

ACCESSORIES

DT - Dark Top Shield**

MSH - Mesh Screen***

OPTION

CLR - Clear Coat Protection (Available on NAT or POL finish only)

MOUNTING

#30 - #30 Clamp on Blades (Includes additional 12" stem for direct burial)

PP18B - 18" Power Pipe Stake with 'B' Cap

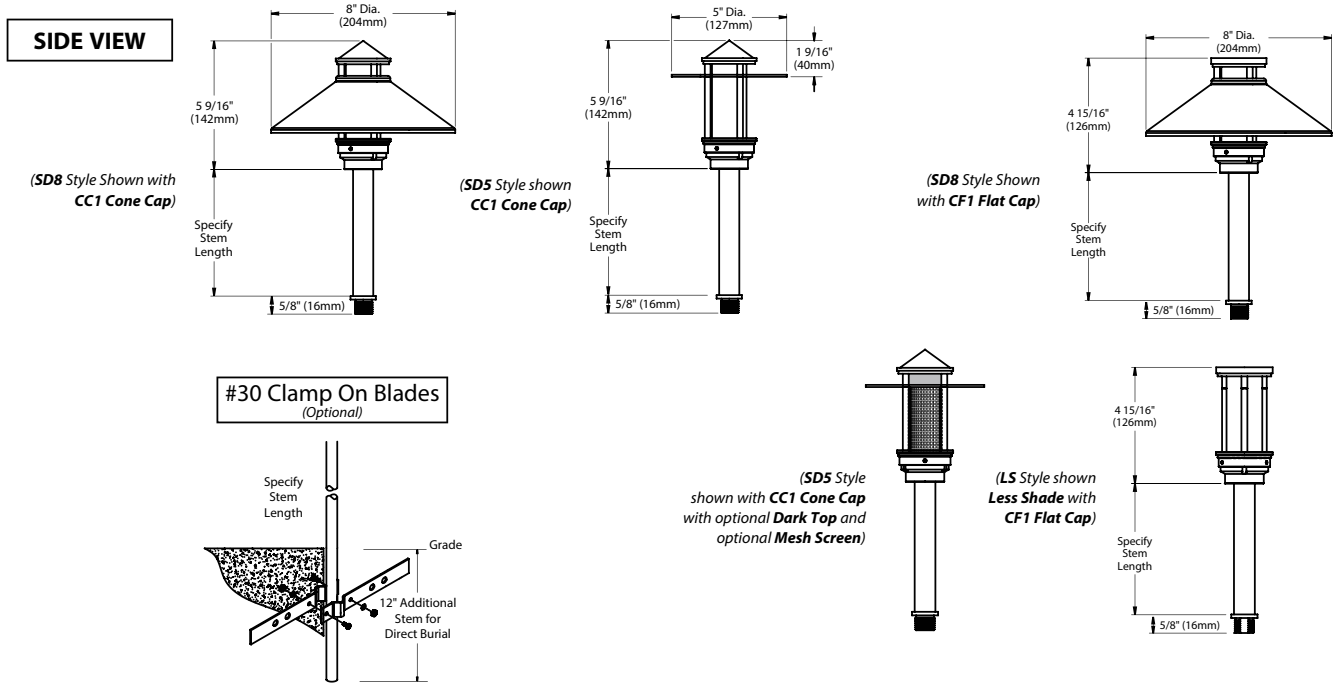
PP-TRe20 - Power Pipe T with 18" Stake, TRe20 Electronic Transformer (105-300VAC. 50/60 Hz. Non-Dimming)

SF - Stability Flange (for use with power pipe)

DATE:

PROJECT:

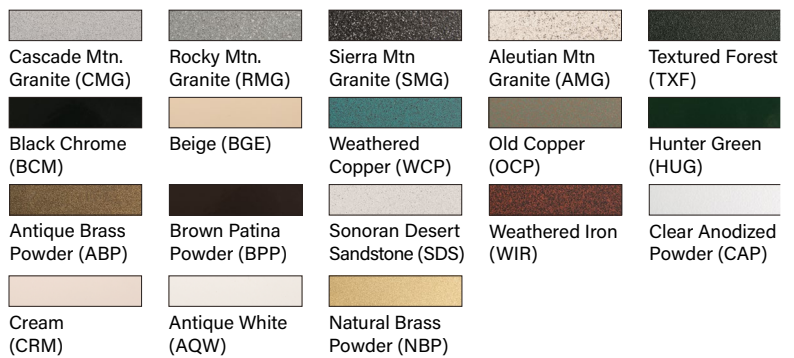
TYPE:



STANDARD FINISHES



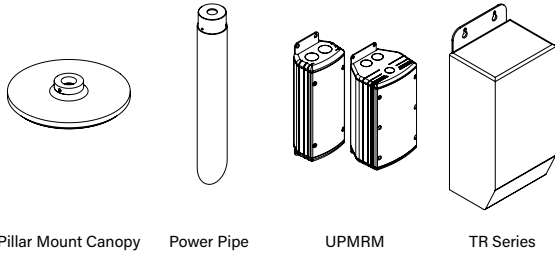
PREMIUM FINISHES



[Click Here](#) to view larger, full-color swatches of all available finishes on our website.

DATE: _____ PROJECT: _____ TYPE: _____

ACCESSORIES (Configure separately)



Pillar Mount Canopy Power Pipe UPMRM TR Series

SPECIFICATIONS

ELECTRICAL	WATTAGE	7W LED
	LED	Integrated LED system with 'e' technology is scalable for field upgrade. Modular design with electrical quick disconnects permit field maintenance. High power, forward throw source complies with ANSI C78.377 binning requirements. Exceeds ENERGY STAR® lumen maintenance requirements. LM-80 certified components.
	DIMMING	Line voltage dimmable via magnetic low voltage dimmer. For use with low voltage dimmer with dedicated neutral conductor. For purposes of dimming: Remote magnetic transformer with LED Power of 'e' technology loads should be loaded to 25% of the transformer VA (watts) rated value.
	WIRING	Black, 18AWG coated wire. 30V 60° C rated and certified to UL 1659 standard. Leads extend 6" from fixture to facilitate live splice in suitable enclosure.
	REMOTE TRANSFORMER	For use with 12VAC LED remote transformer or magnetic transformers only. B-K Lighting cannot guarantee performance with third party manufacturers' transformers.
PHYSICAL	MATERIALS	Copper: Constructed from copper and brass. These enduring metals are inherently corrosion resistant. Aluminum: Constructed from Copper-Free aluminum (Type 6061-T6).
	DISK	5" disk available in 1/8" 6061-T6 Aluminum or 1/8" Copper.
	SHADE	8" Shade hand spun from high purity, solid copper plate Cu C101 or Aluminum 16GA Alu 3003-H14.
	CAP	Top cap available in cone top or flat top. 6061-T6 Aluminum or C360 Brass.
	LENS	High heat, shock resistant, frosted 1.5" diameter acrylic lens. Indirect optic system.
	MESH SCREEN	Diffuses light in both upper and lower windows.
	DARK TOP	Eliminates light from upper window of the fixture. Aluminum- 6063 or 260 Brass.
	STEM	Machined from heavy wall 7/8" O.D. 6061-T6 Aluminum or Type K Soft Copper.
	INSTALLATION	Available for installation in three distinct mounting conditions: #30 Clamp on Blades include an additional 12" stem for direct burial and leads extending 60" from fixture to facilitate live splice in suitable enclosure. Available with Copper Fixture only. Power Pipe - Provides a clean transition from wiring system to fixture. Schedule 80, 18" PVC housing for direct burial into soil or concrete. Machined 2-1/4" dia. cap for fixture mounting. Stainless steel hardware. Optional 6" diameter, molded stability flange, which simplifies installation and projects into substrate to reinforce housing stability. For use with 12VAC LED remote transformer or magnetic transformers only. TEKA Illumination cannot guarantee performance with third party manufacturers' transformers. Power Pipe with Transformer Housing (Optional) - Additionally features integral transformer housing fully machined from copper-free aluminum. High temperature, silicone 'O' Ring provides water-tight seal. Integral, TRe20 electronic transformer. 105-300VAC primary voltage. 50/60Hz. Non Dimming. 20VA maximum load.
	HARDWARE	Tamper resistant, stainless steel hardware.
FINISH	Copper and Brass: Natural (NAT): Copper and brass components are sand blasted to expose the porous metal surface. Over time, and with exposure to the elements, the metals will naturally 'weather' resulting in a unique patina. Also available with hand-crafted metal finishes including brown patina (BP), green patina (GP), and polish (POL). Aluminum, Copper and Brass components are also available in powder coat finishes.	



DATE:	PROJECT:	TYPE:
-------	----------	-------

SPECIFICATIONS

PHYSICAL	FINISH	Optional ceramic clear coat protection (copper and brass components only) seals and protects underlying metals and protects against discoloration, fading, and wear. Highly impervious to chemicals, solvents, and graffiti. For use with natural (NAT) and polish (POL) finishes.
	WARRANTY	Aluminum: StarGuard®, our exclusive RoHs compliant, 15 stage chromate-free process cleans and conversion coats aluminum components prior to application of Class 'A' TGIC polyester powder coating. 5 year limited warranty.
	LISTINGS	UL tested to IESNA LM-79. UL Listed. Certified to CAN/CSA/ANSI Standards. RoHs compliant. Suitable for indoor or outdoor use. Suitable for use in wet locations. Additionally suitable for installation within 4' of the ground. IP66 Rated. Made in USA.



LAMP & DRIVER DATA

DATE:	PROJECT:	TYPE:
-------	----------	-------

DRIVER DATA

Input Volts	InRush Current	Operating Current	Operation Ambient Temperature	Dimmer Type
12VAC/DC 50/60Hz	<250mA (non-dimmed)	500mA	-22°F to 194°F (-30°C to 90°C)	Magnetic Low Voltage

LM79 DATA

LM70 DATA

TEKA LED #	LUMENS (Delivered)	CCT	INPUT WATTS (Typ.)	CRI (Typ.)	Minimum Rated Life (hrs.) - 70% of initial lumens (L70)
e93	314	2700	7	80	50,000
e94	323	3000	7	80	50,000
e95	348	4000	7	80	50,000
e96	N/A	Amber (590nm)	7	-	50,000

MINIATURE BEACON PATH LIGHT (MBP) - HORIZONTAL FOOTCANDLES

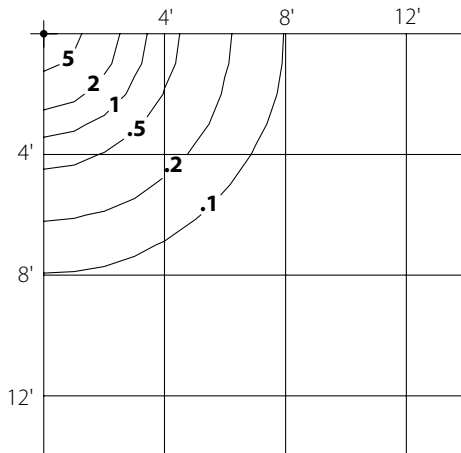
DATE:

PROJECT:

TYPE:

MBP - LED - e95 (7W) - 4000K

Mounting Height = 2 Ft, Style = SD5

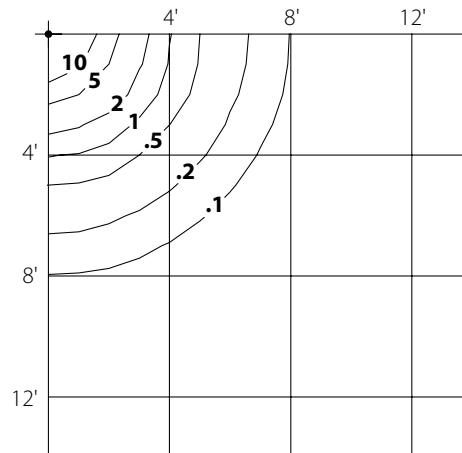


HORIZONTAL FOOTCANDLES

Light Loss Factor = 1.00
 Luminaire Lumens = 436
 Maximum Calculated Value = 6.48 Fc
 2.7K Multiplier = .9
 3K Multiplier = .93
 BUG Rating = B0 U2 G0

MBP - LED - e95 (7W) - 4000K

Mounting Height = 3 Ft, Style = SD8

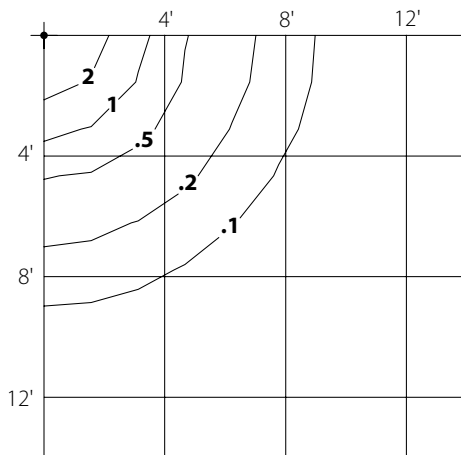


HORIZONTAL FOOTCANDLES

Light Loss Factor = 1.00
 Luminaire Lumens = 348
 Maximum Calculated Value = 32.10 Fc
 2.7K Multiplier = .9
 3K Multiplier = .93
 BUG Rating = B0 U2 G0

MBP - LED - e95 (7W) - 4000K

Mounting Height = 3 Ft, Style = SD5

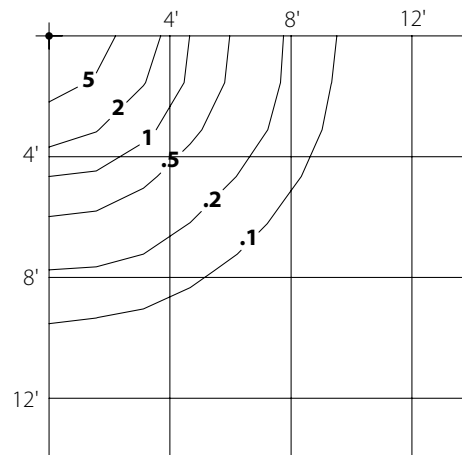


HORIZONTAL FOOTCANDLES

Light Loss Factor = 1.00
 Luminaire Lumens = 436
 Maximum Calculated Value = 2.88 Fc
 2.7K Multiplier = .9
 3K Multiplier = .93
 BUG Rating = B0 U2 G0

MBP - LED - e95 (7W) - 4000K

Mounting Height = 3 Ft, Style = SD8



HORIZONTAL FOOTCANDLES

Light Loss Factor = 1.00
 Luminaire Lumens = 348
 Maximum Calculated Value = 14.27 Fc
 2.7K Multiplier = .9
 3K Multiplier = .93
 BUG Rating = B0 U2 G0