

# TR SERIES (ELECTRONIC TRANSFORMER)

DATE: \_\_\_\_\_ PROJECT: \_\_\_\_\_ TYPE: \_\_\_\_\_

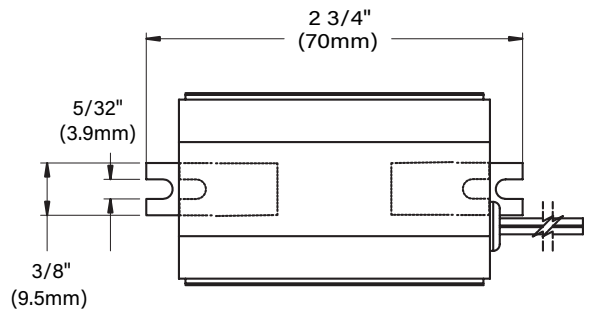
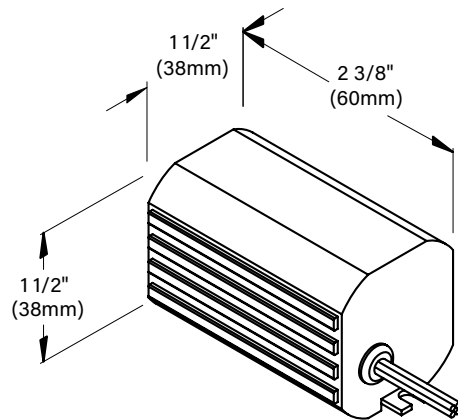
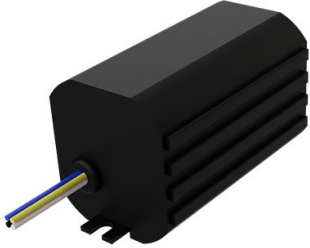
CATALOG NUMBER LOGIC:

## CATALOG NUMBER LOGIC

Example: TRe20

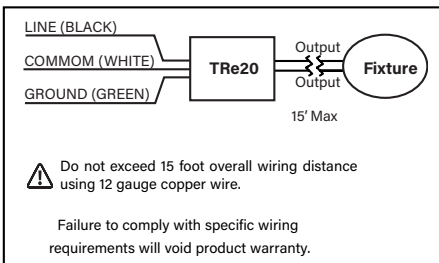
## SERIES

TRe20 - TRe20 Electronic Transformer for LED\*



\*105-300 VAC. 50/60 Hz. Non-Dimming.

## ⚠ REMOTE WIRING



# TR SERIES (ELECTRONIC TRANSFORMER)

DATE:	PROJECT:	TYPE:
-------	----------	-------

ACCESSORIES (Configure separately)

## SPECIFICATIONS

<p>ELECTRICAL</p>	<p>ELECTRICAL</p> <p>WIRING</p> <p>INPUT</p> <p>OUTPUT</p>	<p>&gt;90% Power Factor, &gt;80% Efficiency (under full load at 110 VAC). Inrush current limited to 5A max. Thermal shutdown with auto-restart.</p> <p>Teflon® coated, 18AWG, 600V, 250° C rated and certified to UL 1659 standard.</p> <p>105-300VAC primary voltage. 50/60Hz. Non Dimming.</p> <p>12VDC. One [1] watt minimum load. 20 watt maximum load. Overload, short circuit, and open circuit protection.</p>
<p>PHYSICAL</p>	<p>INSTALLATION</p> <p>HOUSING</p> <p>WARRANTY</p> <p>CERTIFICATION &amp; LISTING</p>	<p>Line voltage transformer powers fixtures equipped with BKSSL Power of 'e' Technology. Suitable for use in ambient temperatures ranging from -10F to 130F. Not to exceed 15 foot overall wiring distance using 12 gauge stranded copper wire. Suitable for installation into 4" Octagonal junction box with extension ring or larger fill size.</p> <p>Fully encapsulated, extruded aluminum casing with black anodized finish. Class 'A' sound rating. Captive retractable mounting feet for mechanical attachment.</p> <p>5 year limited warranty.</p> <p>UL / UL-C Listed to ANSI/UL Standard 1838 and Certified to CAN/CSA Standard C22.2 No. 250.7. Listed for use in a junction box (By Others).</p>

